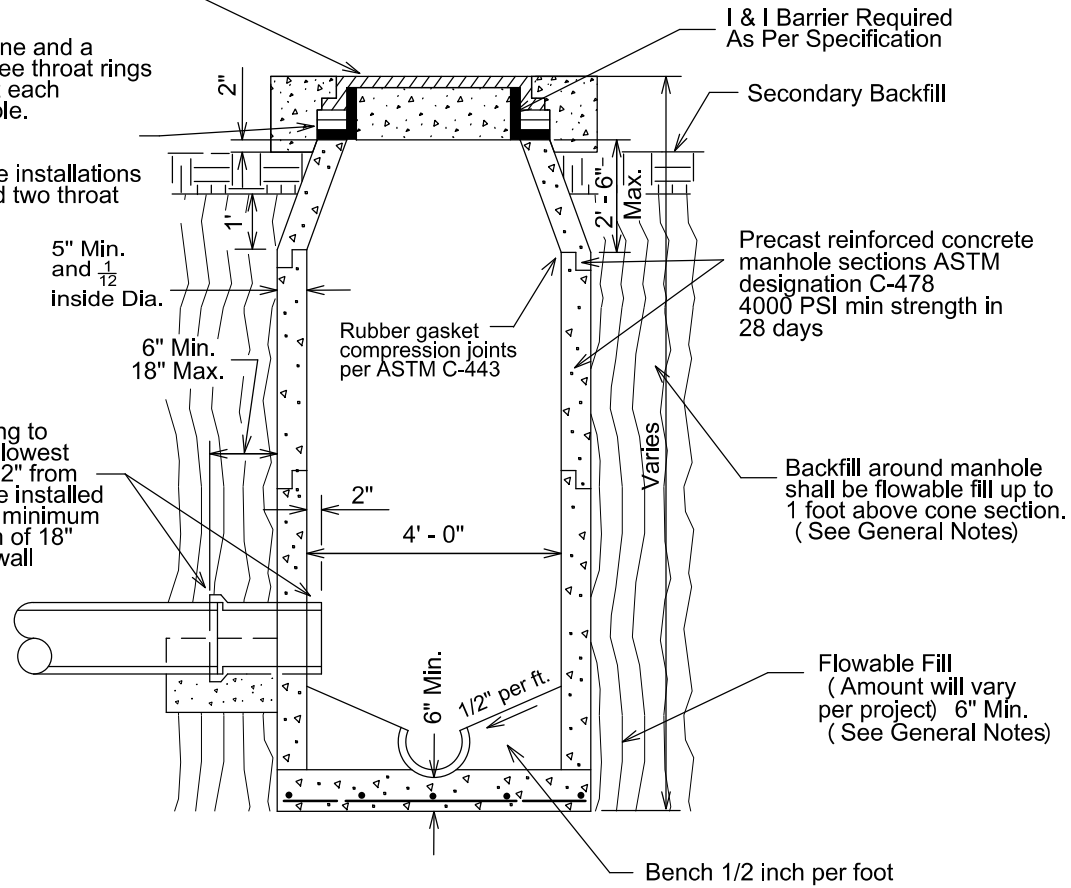


Manhole Ring and Cover
(See DD-852-07
Sheets 1-5)

Adjusted:
A minimum of one and a
maximum of three throat rings
shall be used at each
adjusted manhole.

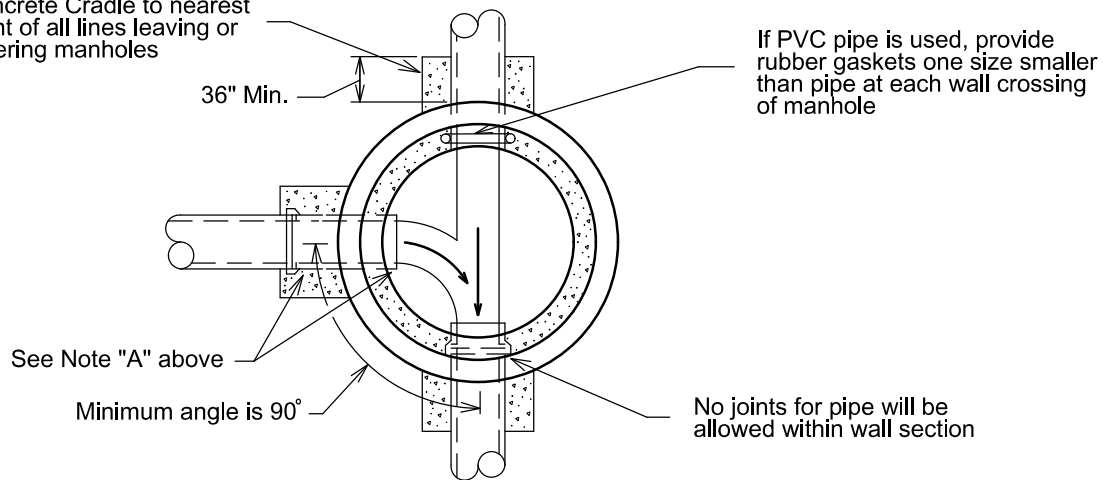
New:
All new manhole installations
shall not exceed two throat
rings.



Note "A"
Sewer pipe connecting to
manholes above the lowest
sewer shall protrude 2" from
the inside wall and be installed
with a joint located a minimum
of 6" and a maximum of 18"
from outer manhole wall

PRECAST MANHOLE

Concrete Cradle to nearest
point of all lines leaving or
entering manholes



MANHOLE FLOOR PLAN

General Notes:

- 1) Material for sanitary sewer pipe must be the same from manhole to manhole. Changes in type of pipe may be made only at manholes, or special structures, except as approved by the SAWS inspector.
- 2) Adaptors and Concrete Collars shall be used as directed and approved by the SAWS inspector.
- 3) Refer to DD-852-07 for watertight manhole rings and covers.
- 4) The minimum angle of flow for a connecting sewer to the direction of flow defined by a collection system is 90 degrees, unless approved by the engineer.
- 5) Contractor can opt to backfill with approved secondary material, subject to provisions of item 304.5.2.C.

| | | | |
|--|-------------------------------------|------------------|------------------------|
| PROPERTY OF SAN ANTONIO WATER SYSTEM SAN ANTONIO, TEXAS | STANDARD PRECAST MANHOLE | APPROVED | REVISED |
| | | May 2013 | February 2017 |
| | | DD-852-01 | SHEET 1 OF 2 |