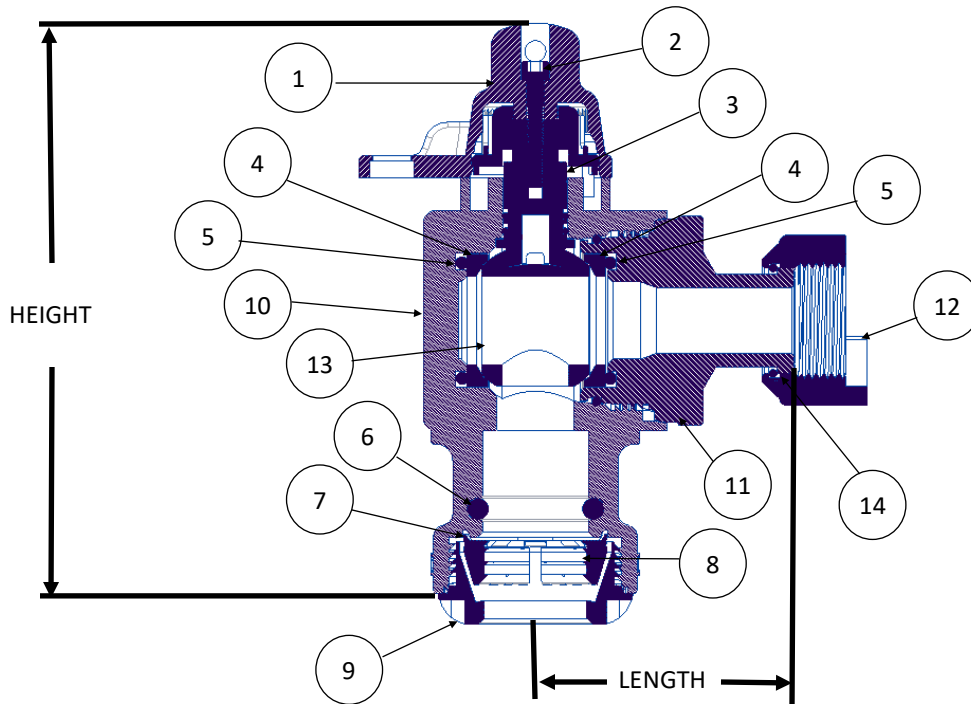
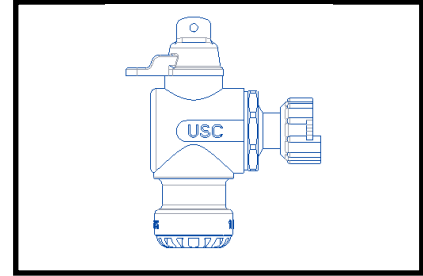


SUBMITTAL INFORMATION

1" - Angle Meter Service Valves: 230-X4T3

Megatite Angle Meter Ball Valves-Push Fit-Poly Pipe



PARTS AND MATERIAL:

1. LOCKING CAP: NYLON COMPOSITE /BRASS 23300
2. SCREW AND WASHER: 304 STAINLESS STEEL
3. STEM W/ O-RINGS: NYLON WITH NBR RUBBER NSF 61 APPROVED
4. BALL VALVE SEAT: PLASTIC NSF 61 APPROVED
5. O-RING: NBR RUBBER NSF 61 APPROVED
6. O-RING: NBR RUBBER NSF 61 APPROVED
7. RETAINING RING: PLASTIC
8. GRIPPER: PLASTIC
9. NUT: NYLON COMPOSITE (BLUE COLOR)
10. MEGATITE BODY: NYLON COMPOSITE NSF 61 APPROVED
11. Ball valve END BODY: NYLON COMPOSITE NSF 61 APPROVED
12. METER NUT: NYLON COMPOSITE 61 APPROVED/BRASS 23300
13. BALL: PLASTIC NSF 61 APPROVED
14. SPRING : COPPER C51000

FEATURES:

- PUSH-FIT POSITIVE STOP CONNECTION FOR ALL COPPER TUBE SIZE PLASTIC PIPES (NO WRENCH NEEDED)
- FULL FLOW WATERWAY
- HEAVY CROSS SECTION PATTERN DESIGNED TO WITHSTAND THE TOUGHNESS REQUIRED ON A CONTRACTOR JOBSITE
- DESIGNED FOR ALL NORTH AMERICAN CLIMATES
- RE-INFORCED LOCK WING CAP
- ANTI- ROTATION TOP CAP DESIGN
- 300 PSI WORKING PRESSURE

Valve Size	Catalog No.	Megatite	Meter	Length	Height	Approx Wt. LBS
1"	230-X4T3	1"	5/8" X 3/4" OR 3/4"	2 15/16"	6 1/2"	



Utility Supply Corp.
 43 Mcbrine Place
 Kitchener, Ontario
 Tel; 855-748-4300
 Fax; 866-615-0561
 WWW:..usccanada.com

Submitted by: