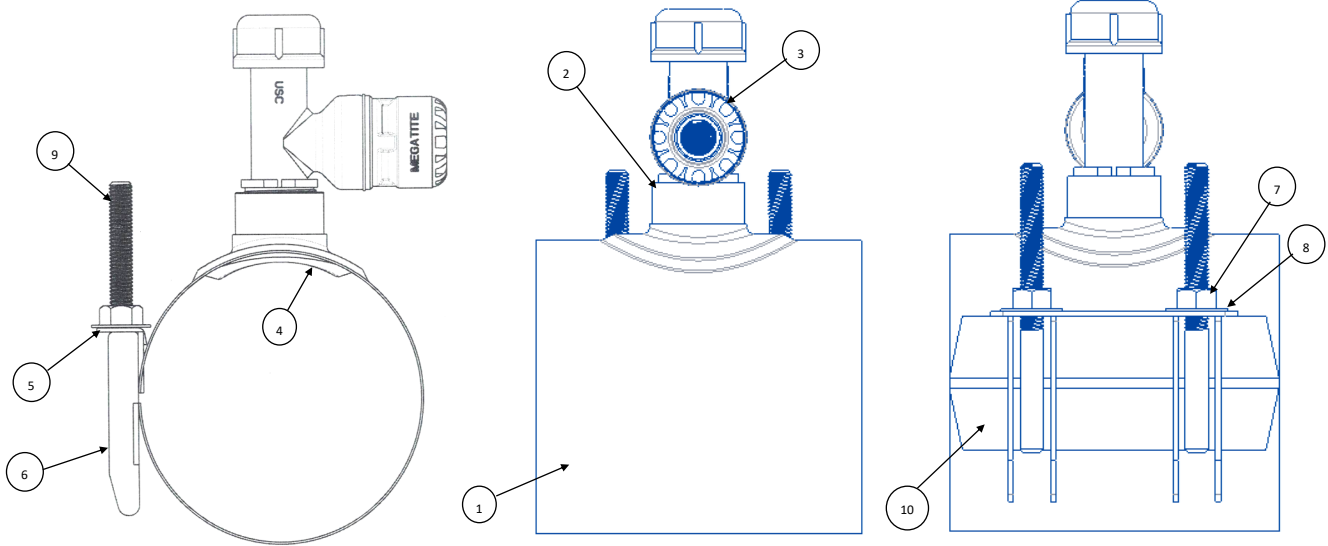
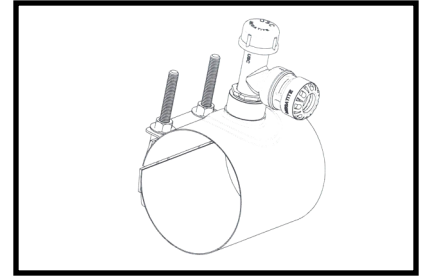


# SUBMITTAL INFORMATION

Tapper Main Stop Saddle: 200-ST\_X\_

Megatite Tapper Main Stop with Saddle



**PARTS AND MATERIAL:**

- 1. SADDLE BODY MADE OF 304 STAINLESS STEEL
- 2. WELDED OUTLET MADE OF 304 STAINLESS STEEL
- 3. TAPPER COMPLIANT WITH NSF 61
- 4. SADDLE GASKET IS MADE OF NBR & MEETS STANDARDS ASTM D2000 & NSF 61
- 5. LIFTER BAR MADE OF 304 STAINLESS STEEL
- 6. FINGER BRACKET MADE OF 304 STAINLESS STEEL
- 7. 5/8-11 STAINLESS STEEL STD HEX NUTS TO PREVENT GALLING
- 8. WASHERS MADE OF 304 STAINLESS STEEL
- 9. STUDS MADE OF 304 STAINLESS STEEL, 5/8" ROLL NC THREAD
- 10. SIDE BARS MADE OF 304 STAINLESS STEEL

**FEATURES:**

- Stainless steel cutter for PVC and HDPE pipe incorporated into the Tapper that doubles as a shut-off device
- The speed of the cutter is controlled by the internal thread design, not allowing the operator to force the cutter through the pipe
- One time use, assuring the cutter is always sharp and no need to resharpen
- Push-fit positive stop connection for all CTS plastic pipes (No wrench needed)
- Full flow waterway
- Heavy cross pattern design to withstand the toughness required on the contractor jobsite
- Designed for all North American Climates
- Swivel design allowing operator to position the tapper outlet in the direction of the service connection
- 300 psi working pressure

Catalog #	OUTLET SIZE	OD RANGE	SS BAND WIDTH	SS GAUGE	Approx wt. lbs
200-ST4X3	3/4"	4.50-4.80"	6" WIDE	20 GAUGE	
200-ST4X4	1"	4.50-4.80"	6" WIDE	20 GAUGE	
200-ST6X3	3/4"	6.63-6.90"	6" WIDE	18 GAUGE	
200-ST6X4	1"	6.63-6.90"	6" WIDE	18 GAUGE	
200-ST8X3	3/4"	8.63-9.05"	6" WIDE	18 GAUGE	
200-ST8X4	1"	8.63-9.05"	6" WIDE	18 GAUGE	
200-ST10X3	3/4"	10.75-11.10"	6" WIDE	18 GAUGE	
200-ST10X4	1"	10.75-11.10"	6" WIDE	18 GAUGE	
200-ST12X3	3/4"	12.75-13.20"	6" WIDE	18 GAUGE	
200-ST12X4	1"	12.75-13.20"	6" WIDE	18 GAUGE	
200-ST14X3	3/4"	15.25-16.05"	6" WIDE	18 GAUGE	
200-ST14X4	1"	15.25-16.05"	6" WIDE	18 GAUGE	
200-ST16X3	3/4"	17.35-18.15"	6" WIDE	18 GAUGE	
200-ST16X4	1"	17.35-18.15"	6" WIDE	18 GAUGE	



Utility Supply Corp.  
 43 Mcbrine Place  
 Kitchener, Ontario  
 Tel; 855-748-4300  
 Fax; 866-615-0561  
 WWW:.usccanada.com

Submitted by: