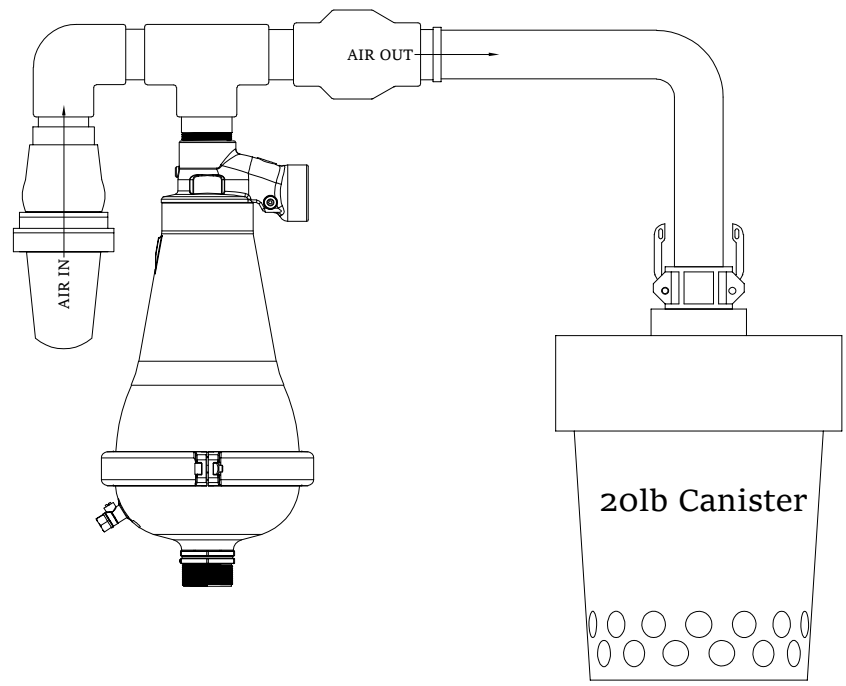



ZONE		REV	DESCRIPTION	DATE	APPROVED



	ODOR CONTROL SPECIALTIES			
	D26TSSo2 with 2" valve assy & 20 lb Carbon Canister			
SIZE	FSM NO.	QMG NO.	REV	
SCALE			SHEET	