

# two-way altitude valve

(sizes 2" - 8")

## installation, operating and maintenance instructions

# model 3333

### GENERAL DESCRIPTION

The OCV Model 3333 is designed to control the level in a storage tank or reservoir without the use of floats or other devices within the tank itself. It is an on-off valve that remains fully opened until the high level shutoff point is reached.

The 3333 is a two-way design. It not only feeds the tank, but also allows the tank to feed they system when system pressure falls below tank head.

The 3333 consists of the following components, arranged as shown on the schematic diagram:

1. **Model 65 Basic Valve Assembly**, a hydraulically operated, diaphragm actuated, pilot controlled globe valve that closes with an elastomer-on-metal seal.
2. **Model 3300 Altitude Pilot**, a three-way control pilot that senses the tank head under its diaphragm and balances it against an adjustable spring load. Based on the actual tank head as compared to the set point, the pilot shifts to either vent or pressurize the main valve diaphragm chamber in order to open and close the valve.
3. **Model 141-2 Needle Valve** that controls the closing speed of the main valve.
4. **Model 126 Ejector**, a simple tee fitting with a small orifice installed in its inlet port. Together with the check valve (7), the ejector allows the altitude pilot to sense either tank head or system pressure, whichever is lowest.
5. **Model 141-1 Check Valve**, that allows flow

from tank to system to initiate return flow.

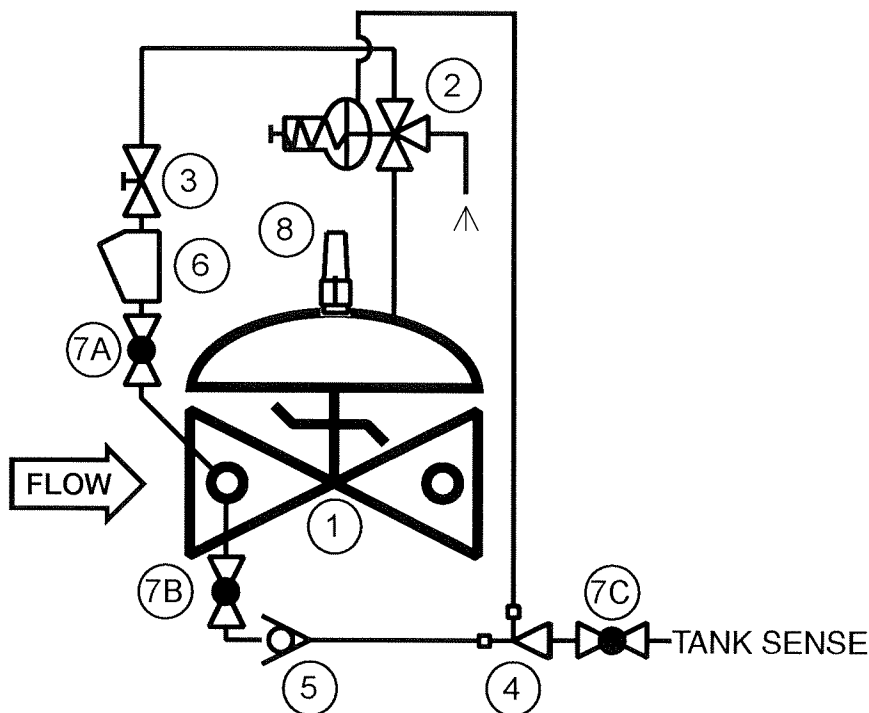
6. **Model 159 Y-Strainer** that protects the pilot system from solid contaminants in the line fluid.
7. Three **Model 141-4 Ball Valves**, useful for isolating various parts of the pilot system for troubleshooting or repair.
8. **Model 155 Visual Indicator** that enables the user to determine the valve's operating position at a glance.

### THEORY OF OPERATION

Operation of the 3333 is quite simple and can be readily understood by referring to the schematic diagram.

The diaphragm chamber of the altitude pilot (2) is connected to sense at the branch of the ejector (4). This is on the system side of the orifice in the ejector, which is represented by the triangular part of the symbol. When tank head is higher than system pressure, check valve (5) opens, allowing flow through the ejector. The orifice creates a pressure drop, allowing the altitude pilot to sense system pressure. When the system pressure falls below the set point, the altitude pilot shifts to vent the diaphragm chamber of the main valve (1) to atmosphere. The valve opens fully and the tank feeds the system.

When system pressure rises above tank head (e.g., a pump is started), check valve (5) closes. Now there is no flow through the ejector, and the altitude pilot senses tank head. When the tank level rises to the high level shutoff point (set point), the altitude pilot shifts to connect inlet pressure to the diaphragm cham-



ber of the main valve. The valve travels to the fully and tightly closed position.

### INSTALLATION

The 3333 valve is furnished fully factory assembled except for the tank sense line. In areas where freezing temperatures are possible, the valve should be located in a vault below the frost line. The flow arrow on the name tag (located on the valve flange) should point *toward* the tank. As a further check, the spring barrel and adjusting screw of the altitude pilot will point *away from* the tank. See the Model 65 Basic Valve section of this manual for full details of valve installation.

Once the main valve is installed, the tank sense line must be connected at ball valve (7C). The proper installation of this sense line is critical to the efficient operation of the altitude valve. The following guidelines apply.

1. It is essential that the sense line be connected as close to the tank as possible in order to accurately sense the tank head. In most cases, the best location is the riser of an elevated tank or the wall of a ground storage tank. If this is not prac-

tical, connect the sense line to the fill pipe as close to the tank as possible. In extreme cases, the sense line may be connected at the discharge body side port of the main valve, but this should only be done if the valve itself is extremely close to the tank.

2. Minimum recommended size for the sense line is 1/2" OD tubing or 3/8" pipe.
3. In order to prevent air accumulation, the sense line should slope slightly upwards from the valve to the tank.
4. The 3333 vents its diaphragm chamber to atmosphere each time it opens. The volume varies according to valve size, as shown below. Provision should be made to drain off or otherwise dispose of this water.

2": .05 gal.	4": .20 gal.
2-1/2": 4.0 gal.	6": .60 gal.
3": .10 gal.	8": 1.5 gal.

## STARTUP AND ADJUSTMENT

The following details the full startup procedures for the Model 3333. Certain adjustments may not be necessary if the valve was preset at the factory. Nevertheless, the valve's operation should be closely monitored until the shutoff level is verified.

1. Install a pressure gauge of proper range on the inlet (system) side of the valve.
2. Loosen the jam nut on needle valve (3) and turn the adjusting screw fully **counterclockwise**.
3. Make sure all three ball valves (7A thru 7C) are open.
4. Open main line isolation valves as necessary to put the valve "on line."
5. Allow system pressure to fall below tank head.
6. If the main valve does not open, turn the adjusting screw of the altitude pilot (2) **clockwise** until it does.
7. Now start the fill pump(s) as necessary to raise system pressure above tank head.
8. Let the tank fill. If the valve closes before the desired shutoff level is reached, repeat Step 6.
9. When the desired shutoff level is reached, turn the adjusting screw of the altitude pilot **counterclockwise** until the valve begins to close.
10. Observe that the valve closes fully. If the valve closes too quickly, slowly turn the adjusting screw of the needle valve (3) **clockwise** until the desired speed is attained. *CAUTION: Do NOT close the needle valve completely. To do so can prevent the valve from closing at all.*
11. Tighten the adjusting screw jam nuts on altitude pilot (2) and needle valve (3).

## MAINTENANCE

Required maintenance of the 3333 is minimal. However, the following checks, periodically performed, will do much to keep the valve operating properly and efficiently.

1. Check for chipped or peeling paint.
2. Check for leaks at fittings and around flanges

and connections. Tighten as required.

3. Check the screen of the Y-strainer for buildup of solid material. Clean as required. This point is most important, as a clogged strainer can keep the valve from operating properly. On new installations, it is recommended that the strainer be checked every day or two until experience dictates a greater or lesser interval.

## TROUBLESHOOTING

In the event of malfunction of the 3333, the following guide should enable the technician to isolate the cause of the problem and take appropriate corrective action.

### MAIN VALVE FAILS TO OPEN

1. Make sure system pressure is low enough to call for valve opening. The opening point, relative to full tank head, is dependent on the spring used in the altitude pilot, hence on the tank height itself. This varies from approximately 2 feet on the lowest tanks, to approximately 6 feet on the highest.
2. Ball valve (7B) closed — Open as required.
3. Altitude pilot (2) adjusted too far counterclockwise — See Adjustment Instructions.
4. Carefully loosen a pipe plug on the main valve bonnet.
  - a) If water begins to discharge around the loosened plug, proceed to Step 5.
  - b) If no water discharges from the plug, proceed to Step 7.
5. Check valve (5) stuck closed — Repair or replace as necessary.
6. Altitude pilot mechanism binding — Disassemble pilot and determine cause. See the 3300 Pilot section of this manual.
7. Main valve (1) stem binding — Disassemble valve and determine cause. See the Model 65 section of this manual.

### MAIN VALVE FAILS TO CLOSE

1. Make sure that high level has been reached.

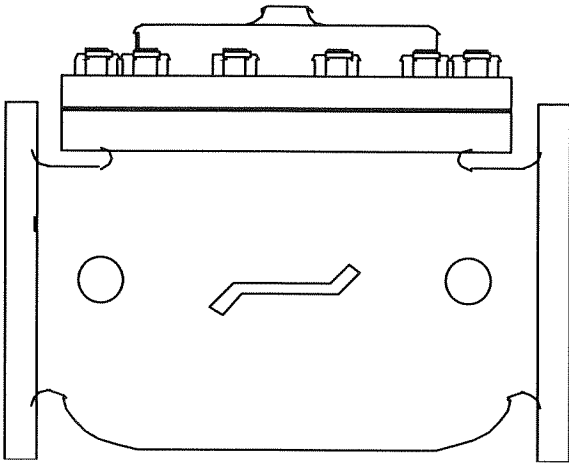
2. Ball valve (7A) closed — Open as required.
3. Ball valve (7C) closed — Open as required.
4. Check valve (5) stuck open or leaking badly — Repair or replace as necessary.
5. Strainer (6) clogged — Clean as required.
6. Needle valve (5) closed fully — Open as required. See Adjustment instructions.
7. Altitude pilot (2) adjusted too far clockwise — See Adjustment instructions.
8. Carefully loosen a pipe plug on the main valve bonnet.
  - a) If no water discharges around the loosened plug, proceed to Step 9.
  - b) If water discharges around the plug, proceed to Step 10.
9. Altitude pilot mechanism binding — Disassemble pilot and determine cause. See the 3300 Pilot section of this manual.
10. Temporarily close ball valve (7A).
  - a) If water continues to discharge around the loosened plug, the main valve diaphragm may be damaged. — Replace diaphragm. See the Model 65 section of this manual.
  - b) If the discharge stops, the main valve stem is binding or there is an object trapped in the valve. — Disassemble main valve and determine cause. See the Model 65 section of this manual.



# installation, operating, and maintenance instructions

## series 65

### basic control valve



#### GENERAL DESCRIPTION

The OCV Series 65 is a hydraulically-operated, diaphragm-actuated valve. It is available in either a globe (Model 65) or angle (Model 65A) configuration. The diaphragm is nylon-fabric bonded with synthetic rubber and forms a sealed chamber in the upper portion of the valve, separating operating pressure from line pressure. An elastomeric seat disc forms a tight seal with the valve seat when pressure is applied above the diaphragm.

#### FUNCTIONAL DESCRIPTION

Because the Series 65 is a hydraulically operated valve, it requires a minimum line pressure of approximately 5 psig in order to function. The valve functions on a simple principle of pressure differential. The line pressure at the inlet of the valve is bypassed through the pilot control piping to the diaphragm chamber of the valve. This pressure, together with the valve spring, works against the pressure under the valve seat. Because the effective area of the diaphragm is greater than that of the seat, the valve is held tightly closed. As the controlling pilot(s) allow the pressure to bleed off the diaphragm chamber, the two opposing pressures begin to balance and the valve will begin to open. The valve can be used to perform a simple on-off function, or with the proper pilot system, a modulating, or regulating function.

In cases where the line fluid is unusually dirty, or is otherwise unsuitable for operating the valve, an independent operating pressure source may be employed. The pressure available from such a source must be equal to, or greater than, line pressure.

#### INSTALLATION

In order to insure safe, accurate and efficient operation of the OCV control valve, the following list of checkpoints and procedures should be followed when installing the

valve.

1. Make a careful visual inspection of the valve to insure that there has been no damage to the external piping, fittings or controls. Check that all fittings are tight.
2. Thoroughly flush all interconnecting piping of chips, scale and foreign matter prior to mounting the valve.
3. Install the valve in the line according to the flow arrow on the inlet flange. The arrow should point downstream.
4. Allow sufficient room around the valve for ease of adjustment and maintenance service.

In addition, it is highly recommended that:

1. Isolation valves (eg., gate or butterfly) be installed on the inlet and discharge sides of the valve to facilitate isolating the valve for maintenance.
2. Pressure gauges be installed at the inlet and outlet sides of the valve to provide monitoring of the valve during initial start-up and during operation. The body side ports, if unused by the pilot system, provide a convenient connection for the gauges.
3. All valves larger than 6" be installed horizontally, i.e., with the bonnet pointed up, for ease of adjustment and maintenance servicing.

#### MAINTENANCE

The OCV control valve requires no lubrication and a minimum of maintenance. However, a periodic inspection should be established to determine how the fluid being handled is affecting the efficiency of the valve. In a water system, for example, the fluid velocity as well as the substances occurring in natural waters, such as dissolved minerals and suspended particles, vary in every installation. The effect of these actions or substances must be determined by inspection. It is recommended that an annual inspection, which includes ex-

amination of the valve interior, be conducted. Particular attention should be paid to the elastomeric parts, i.e., the diaphragm and seat disc. Any obviously worn parts should be replaced.

### REPAIR PROCEDURES

In the event of malfunction of the OCV control valve, troubleshooting should be conducted according to the procedures outlined for the specific model of valve. Then, if those steps indicate a problem with the main valve, this section will outline the procedures necessary to correct the problem.

Problems with the main valve can be classed in three basic categories:

1. VALVE FAILS TO OPEN
  - a. Diaphragm damaged\* - See Procedure A
  - b. Stem binding - See Procedure B
2. VALVE FAILS TO CLOSE
  - a. Diaphragm damaged\* - See Procedure A
  - b. Stem binding - See Procedure B
  - c. Object lodged in valve - See Procedure B
3. VALVE OPENS AND CLOSES BUT LEAKS WHEN CLOSED
  - a. Seat disc damaged - See Procedure C
  - b. Seat ring damaged - See Procedure D

\*A diaphragm failure can prevent the valve from either opening or closing, depending on the flow direction. Most water service valves flow "under the seat", in which case a diaphragm failure will keep the valve from closing. On the other hand, most fuel service valves flow "over the seat", in which case a diaphragm failure will keep the valve from opening. To determine which you have, examine the bridge mark cast into the side of the valve body, then compare it with the figures below.

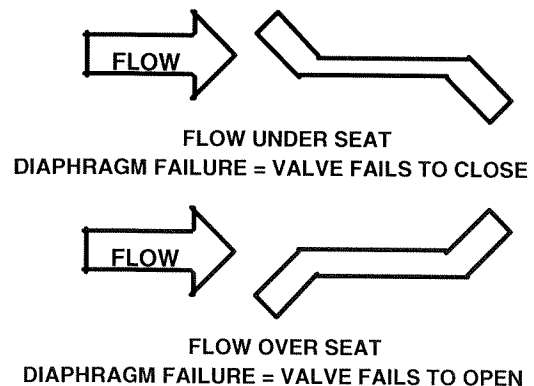
#### PROCEDURE A : DIAPHRAGM REPLACEMENT

1. Isolate the valve from the system by closing upstream and downstream block valves.
2. Loosen one of the tubing connections on the bonnet. Allow any residual pressure to bleed off.
3. Remove all tubing connected at the bonnet.
4. Remove the bonnet nuts.
5. Remove the bonnet. If the bonnet sticks in place, it may be loosened by rapping sharply around its edge with a rubber-headed mallet. *NOTE: 8" and larger valves are equipped with eye bolts through which a chain can be fastened to aid in*

- lifting the bonnet.*
6. Remove the spring.
  7. Remove the diaphragm plate capscrews and the diaphragm plate.
  8. Remove the old diaphragm.
  9. Making sure the dowel pin holes are in the proper location, place the new diaphragm over the studs and press down until it is flat against the body and spool.
  10. Replace the diaphragm plate and the diaphragm plate capscrews.
  11. Tighten all diaphragm plate capscrews snugly.
  12. Replace the spring.
  13. Replace the bonnet and reinstall the bonnet nuts.
  14. Tighten the bonnet nuts snugly using a criss-cross tightening pattern.
  15. Reinstall the control tubing.
  16. Reopen the upstream and downstream block valves.
  17. Before placing the valve back in service, perform the air bleed procedure described in the first section of this manual.

#### PROCEDURE B: CORRECTION OF BINDING STEM

1. Perform Steps 1 thru 6 of Procedure A, above.
2. Remove the spool assembly from the valve. *NOTE:*



*On smaller valves, this can be accomplished simply by grasping the stem and pulling upward. Valves 6" and larger have the top of the stem threaded to accept an eyebolt to aid in lifting the spool out of the body. 6" thru 12" valves are threaded 3/8-16. 14" and 16" valves are threaded 5/8-11.*

3. Carefully examine both ends of the stem for deep scratches, scoring or buildup of mineral deposits.

Polish the stem if necessary using a fine grade of emery cloth.

4. Similarly, examine and polish the upper bushing (in the bonnet) and the lower guide (in the seat ring).
5. Reinstall the spool assembly.
6. Reassemble the valve, following Steps 12 thru 17 in Procedure A.

**PROCEDURE C: SEAT DISC REPLACEMENT**

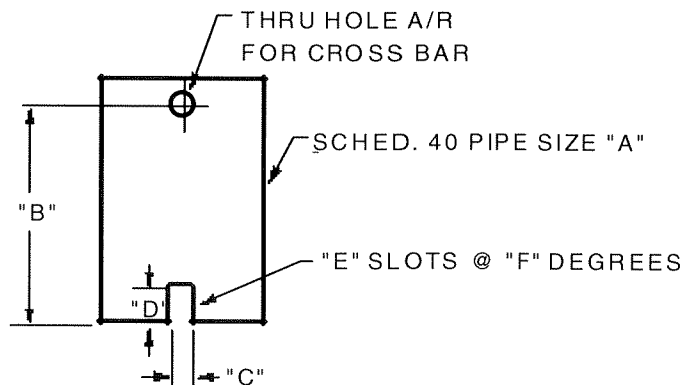
1. Perform Steps 1 and 2 of Procedure B, above.
2. With the spool assembly removed from the body, remove the seat retainer screws.
3. Slide the seat retainer off the lower end of the stem.
4. Remove the seat disc from its groove in the spool.  
*NOTE: The seat disc may fit quite tightly in the groove. If necessary, it may be pried out using a thin-bladed screwdriver or similar tool.*
5. Install the new seat disc in the groove.
6. Reinstall the seat retainer and tighten the seat retainer screws.
7. Reassemble the valve, following Steps 5 and 6 of Procedure B.

**PROCEDURE D: SEAT RING REPLACEMENT**

*NOTE: It is rare for a seat ring to require replacement. Minor nicks and scratches in the seating surface can usually be smoothed out with emery cloth.*

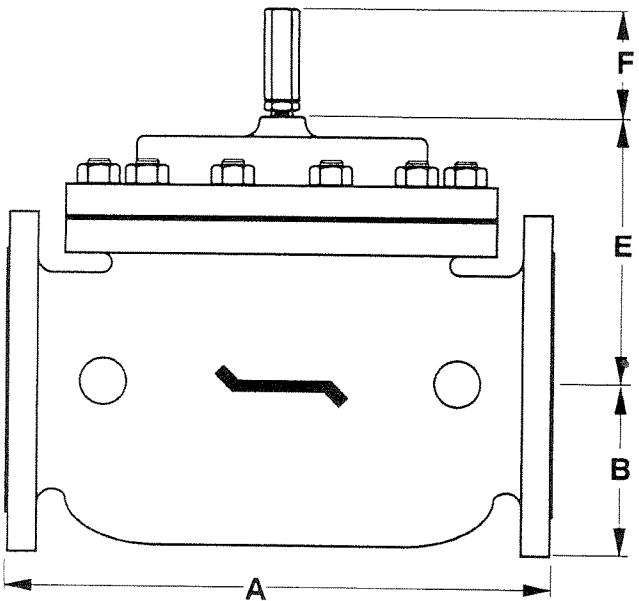
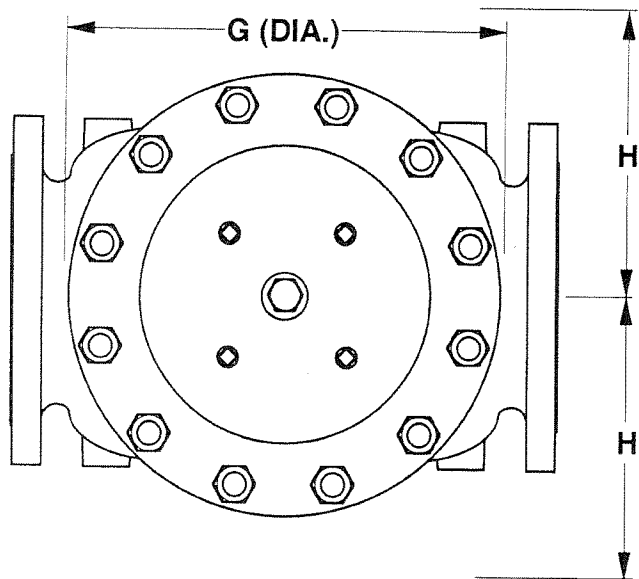
1. Perform Steps 1 and 2 of Procedure B, above.
2. If you are working on a 4" or smaller valve, follow Steps 3 thru 9, below.
3. If you are working on a 6" or larger valve, follow Steps 10 thru 16, below.

4. Seat rings in valves 4" and smaller are threaded into the valve body. To remove, you will need a special seat ring tool. You may fabricate one using standard pipe as shown in the sketch below, or one may be purchased from OCV.
5. Using the seat ring tool, unthread the seat ring from the body.
6. Remove the old o-ring from the counterbore in the body.
7. Install the new o-ring in the counterbore.
8. Using the seat ring tool, install the new seat ring.
9. Reassemble the valve, following Steps 5 & 6 of Procedure B.
10. Seat rings in valves 6" and larger are bolted into the body with socket head capscrews. In addition you will note that the seat ring is equipped with additional threaded holes that may be used for "jacking" the seat ring out of the body.
11. Remove the socket head capscrews.
12. Remove the old seat ring from the body by temporarily installing two or more of the capscrews in the "jacking" holes.
13. Install a new o-ring in the groove of the new seat ring. Lubricate the o-ring and outer seat ring wall with Vaseline® or similar lubricant.
14. Install the new seat ring in the body, making sure that the capscrew holes line up.
15. Replace and tighten all the capscrews.
16. Reassemble the valve, following Steps 5 and 6 of Procedure B.

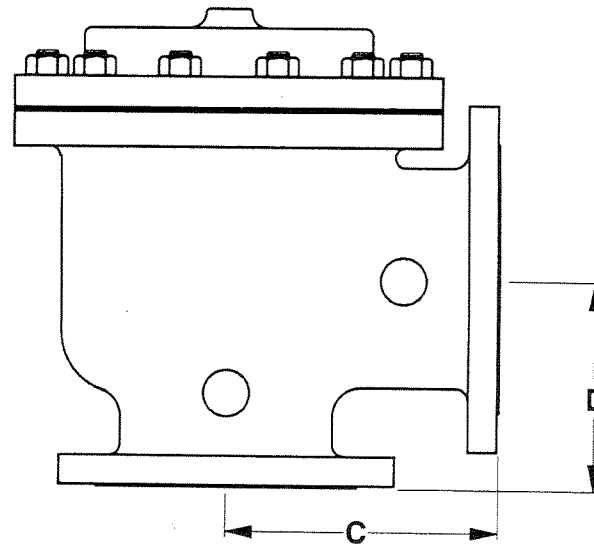


VALVE SIZE	"A" PIPE SIZE	"B" MIN. LENGTH	"C" SLOT WIDTH	"D" SLOT DEPTH	"E" NO. OF SLOTS	"F" SLOT SPACING
1-1/4"	3/4"	6"	3/8"	3/8"	2	180°
1-1/2"	3/4"	6"	3/8"	3/8"	2	180°
2"	1-1/2"	7"	3/8"	3/8"	2	180°
2-1/2"	2"	8"	1/2"	1/2"	3	120°
3"	2-1/2"	9"	5/8"	5/8"	2	180°
4"	3"	10"	5/8"	5/8"	2	180°

REVISED 3-17-97




DIM	ANSI CLASS	VALVE SIZE												
		1 1/4	1 1/2	2	2 1/2	3	4	6	8	10	12	14	16	24
A	SE	8.75	8.75	9.88	10.50	13.00	-	-	-	-	-	-	-	-
	150	8.50	8.50	9.38	10.50	12.00	15.00	17.75	25.38	29.75	34.00	39.00	40.38	62.00
	300	8.75	8.75	9.88	11.12	12.75	15.62	18.62	26.38	31.12	35.50	40.50	42.00	63.75
B	SE	1.44	1.44	1.69	1.88	2.25	-	-	-	-	-	-	-	-
	150	2.31	2.50	3.00	3.50	3.75	4.50	5.50	6.75	8.00	9.50	10.62	11.75	16.00
	300	2.62	3.06	3.25	3.75	4.12	5.00	6.25	7.50	8.75	10.25	11.50	12.75	18.00
C	SE	4.38	4.38	4.75	6.00	6.50	-	-	-	-	-	-	-	-
	150	4.25	4.25	4.75	6.00	6.00	7.50	10.00	12.69	14.88	17.00	-	20.81	-
	300	4 3/8	4.38	5.00	6.38	6.38	7.81	10.50	13.19	15.56	17.75	-	21.62	-
D	SE	3.12	3.12	3.88	4.00	4.50	-	-	-	-	-	-	-	-
	150	3.00	3.00	3.88	4.00	4.00	5.50	6.00	8.00	11.38	11.00	-	15.69	-
	300	3.25	3.25	4.12	4.38	4.38	5.81	6.50	8.50	12.06	11.75	-	16.50	-
E	ALL	6.00	6.00	6.00	7.00	6.50	7.92	10.00	11.88	15.38	17.00	18.00	19.00	27.00
F	ALL	3.88	3.88	3.88	3.88	3.88	3.88	3.88	6.38	6.38	6.38	6.38	6.38	8.00
G	ALL	6.00	6.00	6.75	7.69	8.75	11.75	14.00	21.00	24.50	28.00	31.25	34.50	52.00
H	ALL	10.00	10.00	11.00	11.00	11.00	12.00	13.00	14.00	17.00	18.00	20.00	20.00	28.50



NOTE: 3" VALVE DIMENSIONS ARE FOR NEW MODEL 3100

4" VALVE DIMENSIONS ARE FOR NEW MODEL 4400

REV. A SDJ 6-6-02  
REV. B SDJ 2-3-03

<b>TOLERANCES</b>		 <b>OCV Control Valves</b> TULSA, OKLAHOMA U.S.A.	
UNLESS NOTED FRACTIONAL $\pm 1/64$ DECIMAL $\pm .005$ MACH. FINISH 125/ ANGULAR $\pm 1/2^\circ$			
<b>GENERAL VALVE DIMENSIONS</b>			
DRAWN BY SDJ	DATE 10-6-97	SIZE <b>A</b>	DRAWING NUMBER <b>65D</b>
CHKD. BY	DATE		REV. <b>B</b>



# altitude pilot

## installation, operating, and maintenance instructions

### model 3300

#### GENERAL DESCRIPTION

The OCV Model 3300 Altitude Pilot is a hydraulically-operated, diaphragm-actuated, three-way pilot valve. Used on a Model 65 Basic Valve, the 3300 is designed to control the level in an elevated tank or reservoir without the use of floats or electrical probes. The use of a large diaphragm area, a long spring and a hydraulically-balanced internal arrangement give this pilot the high sensitivity necessary for this application.

#### INSTALLATION

The 3300 is normally furnished factory-installed on the main valve; however, it can be field-mounted, either on the valve or remotely, if desired.

These are four connections on the pilot, as shown on the assembly drawing:

1. **3/8" NPT SENSING CONNECTION:** This connection provides the tank head sense to the diaphragm. It is extremely important that this connection be made so as to accurately sense the tank head at all times. The best possible location is the base of the riser itself. For maintenance and troubleshooting purposes, it is advisable that this line contain an isolation cock.
2. **3/8" SUPPLY CONNECTION:** This connection senses inlet (system) pressure to the main valve. Normally it is connected to the inlet side port of the main valve. It should also contain an isolation cock and should be protected by a strainer.

3. **1/2" CONNECTION TO BONNET:** This connection is made directly to the main valve bonnet of 8" and smaller valves. On 10" and larger valves, it is connected to the bonnet of a three-way auxiliary pilot.
4. **3/8" NPT VENT TO ATMOSPHERE:** This is exactly what the name applies—a **free** vent to atmosphere. Depending on the valve size, a certain amount of water will be discharged each time the valve opens, either from this vent or from the auxiliary pilot. Drain provisions should be provided for this water.

VALVE SIZE	AMT. VENTED
1-1/4 & 1-1/2"	2.5 oz.
2"	4.0 oz.
3"	10.0 oz.
4"	1.2 pints
6"	2.0 quarts
8"	1.0 gal.
10"	2.2 gal.
12"	3.5 gal.
14"	6.5 gal.
16"	8.6 gal.

#### THEORY OF OPERATION

Understanding of the operation of the 3300 will be aided by referring to the assembly drawing. For convenience, the left end of the pilot will be referred to as "up," and the right end as "down."

The pilot is operated by tank head pressure, acting through the sensing connection to the lower side of the

diaphragm (12). There it is balanced by an adjustable spring force acting on the diaphragm assembly. As the tank level falls, the sensed head lessens, allowing the spring (13) to predominate, forcing the diaphragm assembly downwards. On the other hand, as tank level increases, the tank head gradually overcomes the spring, forcing the diaphragm assembly upwards.

Within the valve, there are three “chambers” to consider.

1. The drilled chamber inside the stem (8). This chamber is ported to the supply connection. Note that the stem can form a seal against the seat disc (32). This is referred to as the “inner seal.”
2. The annular chamber between the stem (8) and the seat (7). This chamber is ported to the bonnet connection. Note that the lower end of the seat can also form a seal against the seat disc (32). This is referred to as the “outer seal.”
3. The chamber below the stem and seat. This chamber is ported to the vent.

Now, as the diaphragm assembly moves downward, indicative of a falling tank head, the stem (8) is forced downwards, which first “makes” the inner seal between stem and seat disc (32), then “breaks” the outer seal between seat (7) and seat disc (32). Thus the bonnet chamber is connected to the vent chamber, and the main valve opens.

Conversely, as the diaphragm assembly moves upward, indicative of an increasing tank head, the stem (8) is forced upwards by spring (14) and spring (15). This first “makes” the outer seal between seat (7) and seat disc (32), then “breaks” the inner seal between stem (8) and seat disc (32). Thus the supply chamber is connected to the bonnet chamber, and the main valve closes.

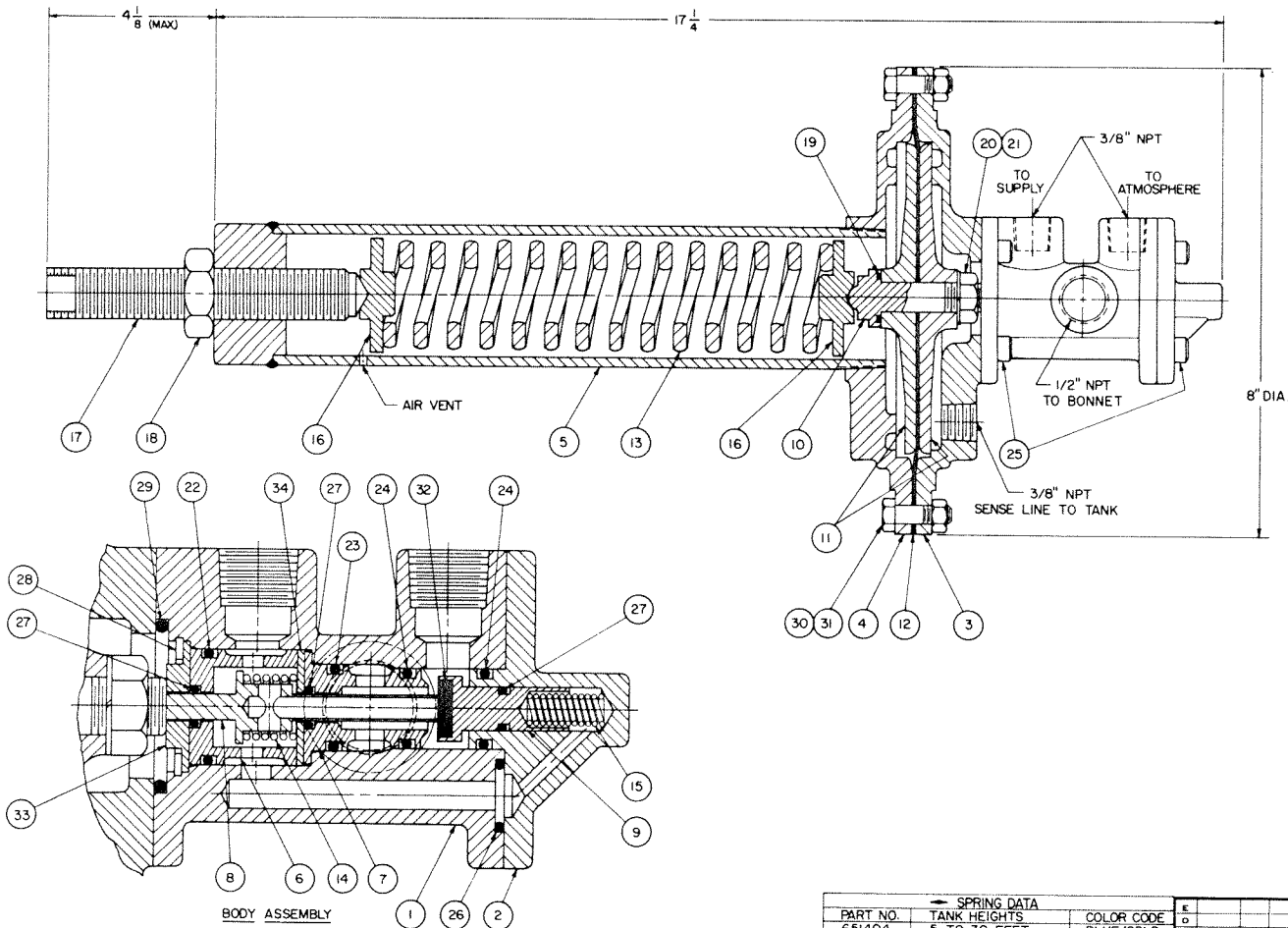
## ADJUSTMENT

Initial adjustment of the 3300 is **always** a two-step process:

1. Turn the adjustment screw (17) clockwise until the valve opens. This is indicated by a sudden discharge of water from the vent line. Allow

the tank to fill. If the valve should close prematurely before the tank is full, turn the adjustment screw further clockwise until the valve reopens.

2. When the tank reaches the desired high level, turn the adjustment screw slowly counterclockwise until the valve starts closed. This is best determined by watching for a downward movement of the valve indicator stem.



NOTES

1. ▲ = RECOMMENDED SPARE PARTS.
2. WHEN ORDERING PILOTS OR PARTS PLEASE SPECIFY:
  - (A) MODEL NUMBER.
  - (B) WORKING PRESSURE AND TEMPERATURE.
  - (C) HEIGHT OF TOWER OR TANK FROM CENTER LINE OF BASIC VALVE.
  - (D) PART NUMBER.
  - (E) QUANTITY.
  - (F) DESCRIPTION.
  - (G) MATERIAL.

ITEM	PART NO.	DESCRIPTION	QTY.	MATERIAL
▲	34	300212 SEAL RETAINER, SEAT	1	BRASS
▲	33	300213 SEAL RETAINER, BUSHING	1	BRASS
▲	32	694500 SEAL DISC	1	BUNA-N
▲	31	531725 CAPSCREW	12	STN. STL.
▲	30	590725 HEX NUT	12	STN. STL.
▲	29	60218 O-RING	1	BUNA-N
▲	28	630708 SNAP RING	1	STN. STL.
▲	27	611010 O-RING	3	VITON
▲	26	611111 O-RING	1	VITON
▲	25	530701 CAPSCREW	8	STN. STL.
▲	24	611112 O-RING	2	VITON
▲	23	611113 O-RING	1	VITON
▲	22	610117 O-RING	1	BUNA-N
▲	21	590711 HEX NUT	1	STN. STL.
▲	20	685703 LOCKWASHER	1	STN. STL.
▲	19	610017 O-RING	1	BUNA-N
▲	18	590037 JAM NUT	1	CAD. PL. STL.
▲	17	300048 ADJUSTING SCREW	1	CAD. PL. STL.
▲	16	300049 SPRING RETAINER	2	CAD. PL. STL.
▲	15	651706 SPRING	1	STN. STL.
▲	14	651705 SPRING	1	STN. STL.
▲	13	SPRING (SEE DATA)	1	STN. STL.
▲	12	694001 DIAPHRAGM	1	BUNA-N, NYLON
▲	11	308101 DIAPHRAGM PLATE	2	BRONZE
▲	10	300704 SCREW, DIAPH. PLATE	1	STN. STL.
▲	9	310702 SEAT RETAINER	1	STN. STL.
▲	8	314701 STEM	1	STN. STL.
▲	7	310724 SEAT	1	STN. STL.
▲	6	300211 BUSHING, STEM	1	BRASS
▲	5	300450 SPRING BARREL	1	STEEL
▲	4	304101 BONNET, TOP	1	BRONZE
▲	3	304121 BONNET, BOTTOM	1	BRONZE
▲	2	300135 CAP, BOTTOM	1	BRONZE
▲	1	302101 BODY	1	BRONZE

SPRING DATA			E	D	C	B	A
PART NO.	TANK HEIGHTS	COLOR CODE					
651404	5 TO 30 FEET	BLUE/GOLD					
651405	20 TO 50 FEET	GOLD					
651406	40 TO 80 FEET	BLUE					
651407	70 TO 140 FEET	ORANGE					
651410	130 TO 230 FEET	YELLOW					

MATERIALS		TOLERANCES		UNLESS NOTED OTHERWISE: 1/16" DECIMAL TYP. APPROXIMATE 1/32" MACH. FINISH 1/8"	
NO. REQ'D	DRAWN BY	DATE	REV.	DATE	REV.
SCALE	CHK'D BY	DATE			
FULL					

**McV Control Valves**  
ALTIITUDE PILOT

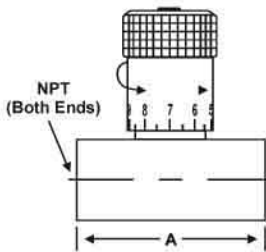
## DESCRIPTION

The Model 141-2 Needle Valve is an adjustable restriction device installed in the control circuit tubing. The setting of the needle valve meters the flow into and out of the main valve diaphragm chamber, thus controlling the response speed of the main valve. Depending on the application, the needle valve may be used as a closing speed control, opening speed control, or both simultaneously.



◀ Needle Valves shown  
Sizes: 3/4" & 1/4"

## MODEL 141-2 MATRIX

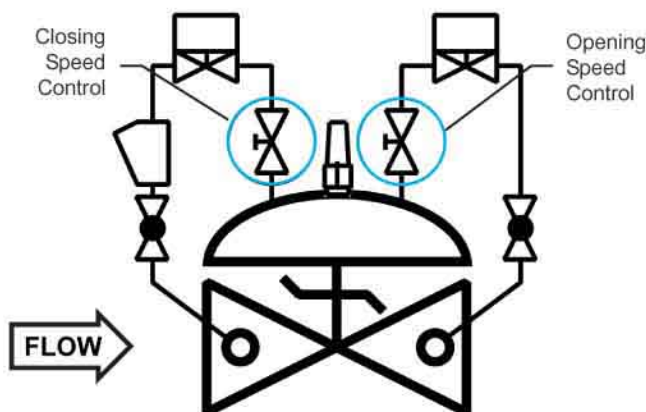
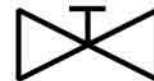


MATERIAL	PART NUMBER	INLET/OUTLET (NPT)	A	USED ON VALVE SIZE*
Brass	683100	1/4	2	1 1/4"-2"
Brass	683101	3/8	2 1/4	2 1/2"-6"
Brass	683102	1/2	2 5/8	8"-10"
Brass	683103	3/4	3 1/4	12"-16"
Stn. Steel	683700	1/4	2	1 1/4"-2"
Stn. Steel	683702	3/8	2 1/4	2 1/2"-6"
Stn. Steel	682704	1/2	2 5/8	8"-10"
Stn. Steel	683703	3/4	3 5/8	12"-16"

Note: Needle valve size may vary on valve application. Consult factory.

## SCHEMATIC SYMBOL

The Model 141-2 Needle Valve is shown on OCV Valve Schematics as:



EXAMPLE: Shown here on a MODEL 115-3 DIGITAL VALVE as separate opening and closing speed controls.

**DESCRIPTION**



**MODEL 126 EJECTOR**  
 The Model 126 ejector is a simple tee fitting with a fixed orifice in its inlet port. It provides the proper supply pressure to the main valve diaphragm chamber, allowing various two-way control pilots to control the valve position.

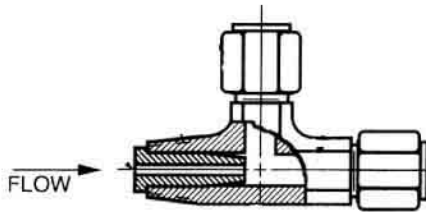
**MODEL 126 EJECTOR DIAGRAM**

Brass Construction / Stainless Steel Construction

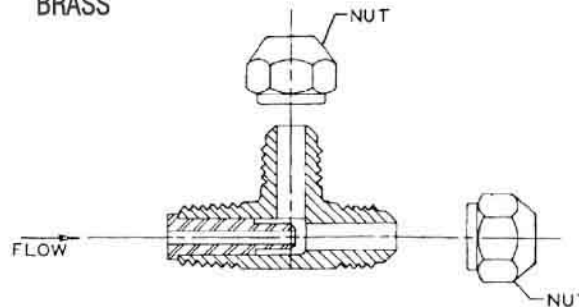
MATERIAL	PART NUMBER	P (NPT)	T-TUBE O.D.	STD. ORIFICE	USED ON VALVE SIZES
Brass	213100	3/8"	3/8"	.125"	1 1/4"-6"
Brass	214100	1/2"	1/2"	.188"	8"-10"
Brass	215100	3/4"	3/4"	.188"	12"-16"
316 Stn. Steel	213700	1/4"	3/8"	.090"	1 1/4"-6"
316 Stn. Steel	214700	3/8"	1/2"	.125"	8"-10"
316 Stn. Steel	215700	1/2"	3/4"	.188"	12"-16"

Orifice bushings are stainless steel.

**STAINLESS**

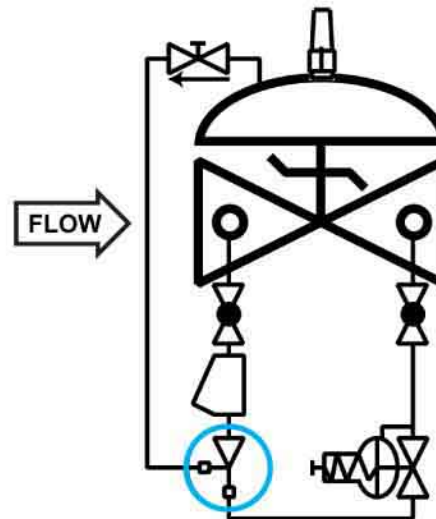
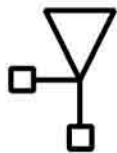


**BRASS**



**SCHEMATIC SYMBOL**

The Model 126 Ejector is shown on OCV Valve Schematics as:



EXAMPLE: Shown here on a MODEL 127-3 Pressure Reducing Valve



## DESCRIPTION

The Model 141-1 Check Valve uses a spring-loaded poppet that will allow flow in one direction only. It is the primary component used on valves with a reverse flow check function. Flow is in the direction of the arrow on the check valve body.



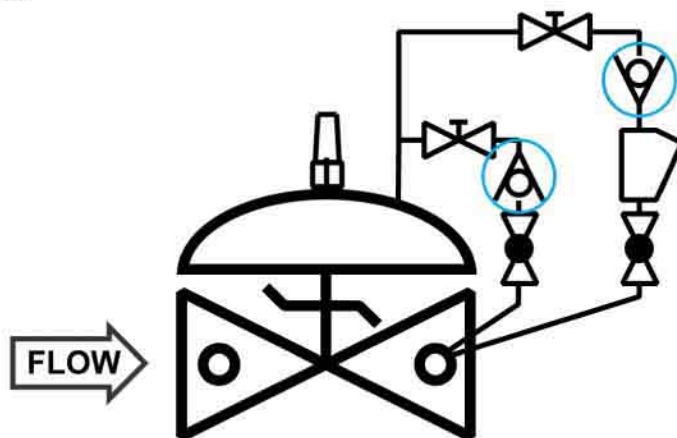
◀ Check Valves shown  
Stainless Steel & Brass

## MODEL 141-1 MATRIX

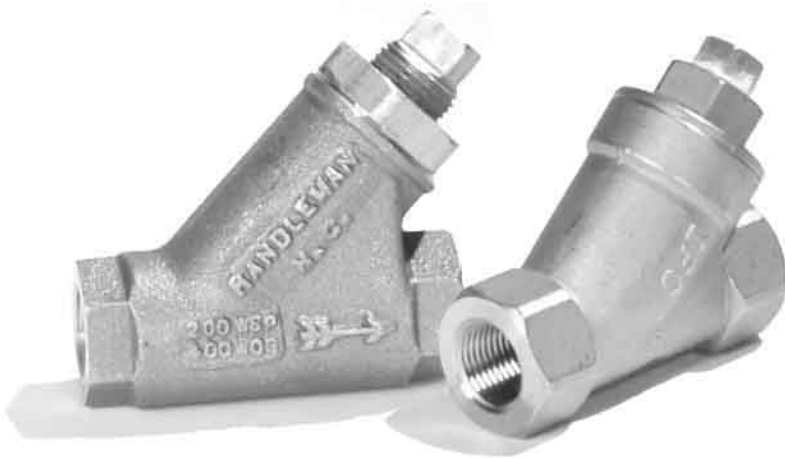
MATERIAL	PART NUMBER	INLET/OUTLET (NPT)	LENGTH	USED ON VALVE SIZE
Bronze	681100	3/8	2	1 1/4"-6"
Bronze	681101	1/2	2 1/8	8"-10"
Bronze	681102	3/4	2 1/4	12"-16"
Stn. Steel	681700	3/8	2 5/16	1 1/4"-6"
Stn. Steel	681701	1/2	2 5/16	8"-10"
Stn. Steel	681702	3/4	2 7/8	12"-16"

## SCHEMATIC SYMBOL

The Model 141-1 Check Valve is shown on OCV Valve Schematics as:



EXAMPLE: Shown here on a MODEL 94-3 Check Valve.



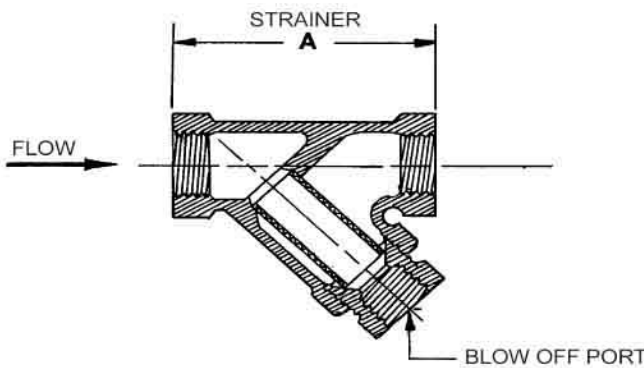
**DESCRIPTION**

**MODEL 159 Y-STRAINER**

The 159 Y-Strainer installs in the inlet piping of the pilot system and protects the pilot system from solid contaminants in the line fluid. It is the standard strainer for water service valves.

**MODEL 159 Y-STRAINER MATRIX**

MATERIAL	PART NUMBER	INLET/OUTLET (NPT)	BLOW OFF PORT (NP)	A	STD. MESH	USED ON VALVE SIZE
Bronze	660100	3/8	3/8	2 11/16	24	1 1/4"-6"
Bronze	660101	1/2	3/8	2 5/8	24	8"-10"
Bronze	660102	3/4	3/8	3 5/16	24	12"-16"
Stn. Steel	660700	3/8	1/4	2 1/2	20	1 1/4"-6"
Stn. Steel	660701	1/2	1/4	2 1/2	20	8"-10"
Stn. Steel	660702	3/4	1/4	3 1/8	20	12"-16"



**MATERIALS**

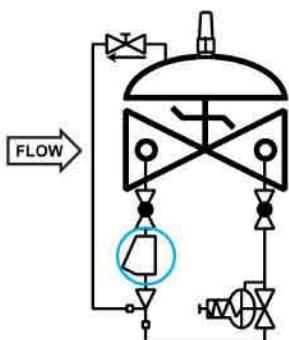
Bronze, ASTM B62  
Optional mesh sizes: 50, 100

Stainless Steel, CF8-M (316)  
Optional mesh sizes: 60, 80, 100

Screens are stainless steel

**SCHEMATIC SYMBOL**

The Model 159 Y-Strainer is shown on OCV Valve Schematics as:



EXAMPLE: Shown here on a MODEL 127-3 Pressure Reducing Valve

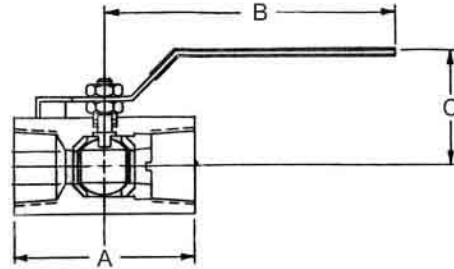
**MAINTENANCE**

Routine cleaning and checking of the Y-Strainer will aid in keeping the control valve functioning properly. Pilot system isolation ball valves are supplied on valves equipped with the Model 159 Y-Strainer. These allow flushing of the screen through the blow off port, or removal of the screen itself for manual cleaning.

**DESCRIPTION**

The Model 141-4 Ball Valve is a ¼-turn shutoff device used for isolating the pilot system from the main valve. They are extremely useful for performing routine maintenance and troubleshooting.

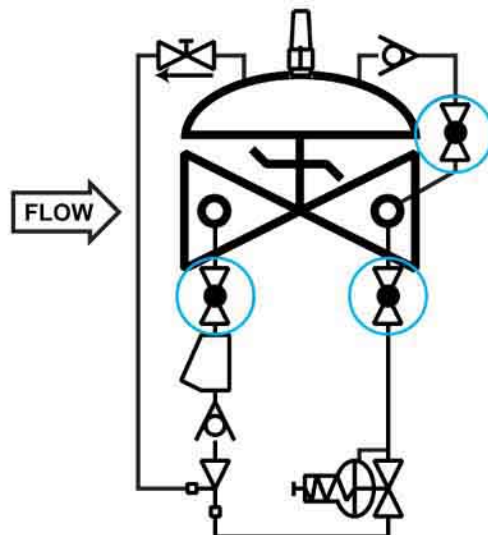
Ball valves are standard on water service valves; optional on fuel service valves.



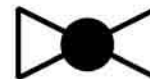
**MODEL 141-4 MATRIX**

MATERIAL	PART NUMBER	INLET/OUTLET (NPT)	A	B	C	USED ON VALVE SIZE*
Bronze	680100	3/8	1 3/4	3 1/2	1 7/8	1 ¼"-6"
Bronze	680101	1/2	2	3 1/2	2 1/4	8"-10"
Bronze	680102	3/4	3	4 3/4	2 1/4	12"-16"
Stn. Steel	680700	3/8	2	3 3/4	2 1/8	1 ¼"-6"
Stn. Steel	680701	1/2	2 1/4	3 3/4	2 1/2	8"-10"
Stn. Steel	680702	3/4	3	4 3/4	2 1/4	12"-16"

**SCHEMATIC SYMBOL**



The Model 141-4 Ball Valve is shown on OCV Valve Schematics as:



EXAMPLE: Shown here on a MODEL 127-4 Pressure Reducing / Check Valve.



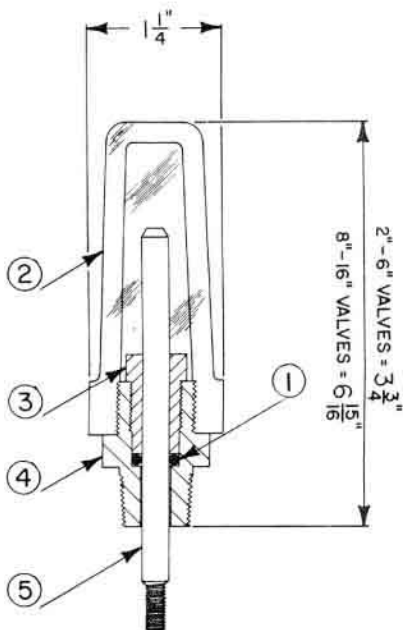
**DESCRIPTION**

The Model 155 Visual Indicator is a device that enables the user to determine the extent of opening of a control valve. It consists of an adaptor threaded into the center port of the valve bonnet, a rod threaded into the main valve stem, a sealing O-ring, and a protective clear plastic housing. The indicator rod moves as the valve opens and closes. It may be installed on virtually any OCV control valve, and can be done so without any disassembly of the valve itself.

**WHERE USED** - Standard on Series 94 Check Valves, Series 3330 Altitude Valves, and Series 22 Digital Control Valves. Optional on any other valve not employing a limit switch or position transmitter.



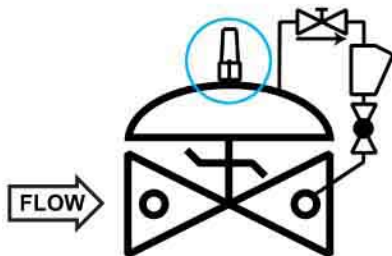
**MODEL 155 MATRIX**



MATERIAL	PART NO. (BRASS ADAPTOR)	PART NO. (STAINLESS ADAPTOR)	VALVE TRAVEL (FULL STROKE)
1 1/4" - 1 1/2"	255100	255700	3/8"
2"	255100	255700	1/2"
2 1/2"	255100	255700	3/4"
3"	255100	255700	1"
4"	255101	255701	1 3/8"
6"	255102	255702	1 1/2"
8" - 10"	255103	255703	2 1/2"
12"	255104	255704	3"
14" - 16"	255105	255705	3 1/2", 4"
24"	255109	255709	6"

ITEM	DESCRIPTION
1	O-Ring
2	Housing
3	Bushing
4	Adaptor
5	Stem

**SCHEMATIC SYMBOL**



The Model 155 is shown on OCV Valve Schematic as:



EXAMPLE: Shown here on a Model 94-1 Check Valve

**MATERIALS**

- Indicator Rod: Monel
- Adapter: Brass (std.), Stainless Steel (optional)
- Housing: Butyrate (1 1/4" - 6") Acrylic (8" and larger)
- O-Ring: Viton® (std.) Buna-N, EPDM (optional)

**Valve Position Indicator 155**